



EBARA

	Page
- SPECIFICATIONS	200
SELECTION CHART	201
TYPE KEY AND CURVE SPECIFICATIONS	202
PERFORMANCE CURVE CDX 70	204
PERFORMANCE CURVE CDX 90	205
PERFORMANCE CURVE CDX 120	206
PERFORMANCE CURVE CDX 200	207
- CONSTRUCTIONS	300
SECTIONAL VIEW	300
MECHANICAL SEAL	301
- DIMENSIONS AND WEIGHT	400
PUMP	400
PACKING	401
- TECHNICAL DATA	500
MOTOR DATA	500
NOISE DATA	500

SPECIFICATION

50Hz

Rev. I

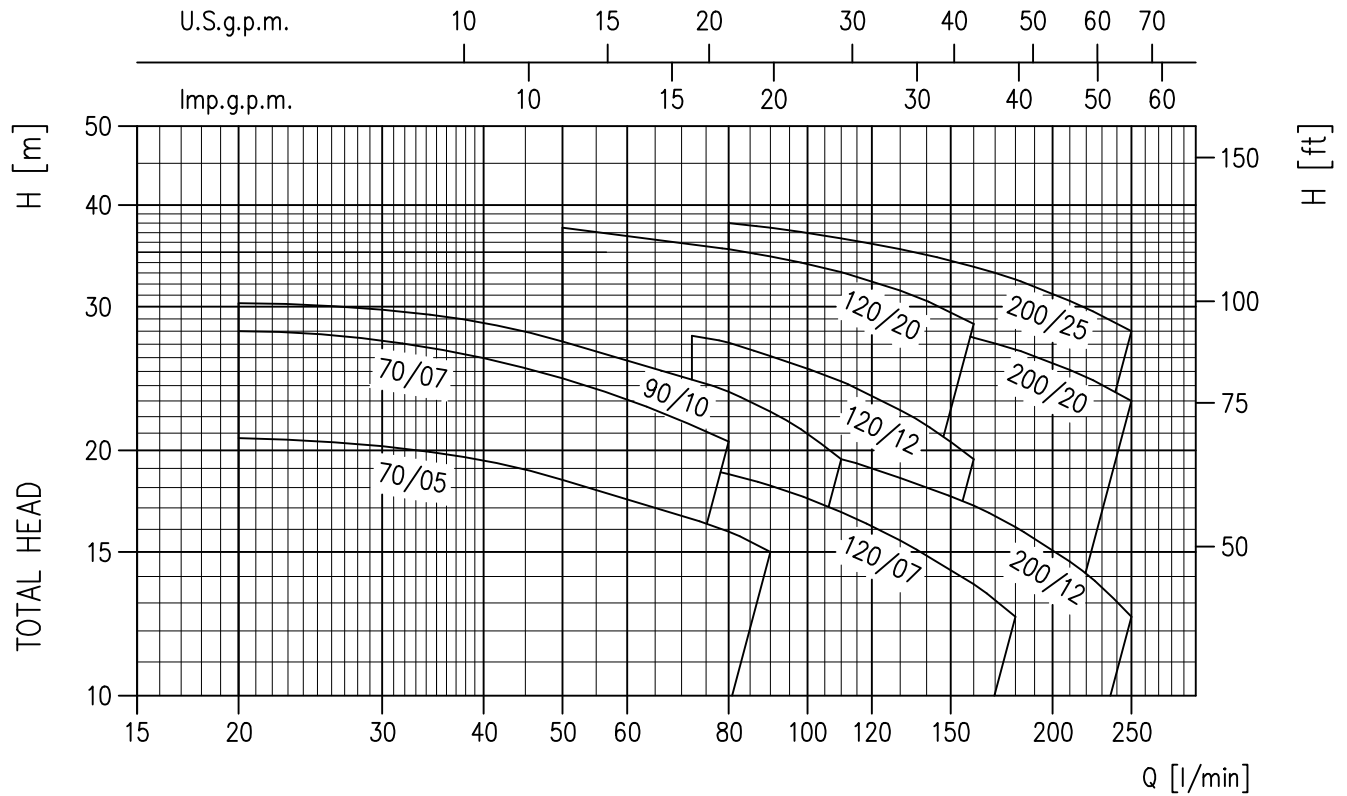
PUMP		
Liquid Handled	Type of liquid	Clean water
	Temperature [°C]	min. -5 max. 60 (CDX 70/05-70/07-90/10) max. 90 max. 110 (H-HS-HW-HSW)
Maximum working pressure	[MPa]	0.8
Construction	Impeller	Closed centrifugal type
	Shaft seal type	Mechanical seal
	Bearing	Sealed ball bearing
Pipe Connection	Suction	G 1¼ (G 1½ CDX200)
	Discharge	G 1
Material	Casing	AISI 304
	Impeller	AISI 304
	Casing cover	AISI 304
	Shaft seal	Ceramic/Carbon/NBR (for CDX) Ceramic/Carbon/FPM (for CDXH) SiC/SiC/FPM (for CDXHS) Tungsten Carbide/Tungsten Carbide/FPM (for CDXHW) SiC/Tungsten Carbide/FPM (for CDXHSW)
	Shaft	AISI 303 (Wet extension)
	Bracket	Aluminium
Applicable standard of test		ISO 9906 – Annex A

MOTOR		
Type	Electric - TEFC	
	Single Phase	Three Phase
Efficiency level (Reg. 640/2009)	-	- from 0.37 kW up to 0.55 kW IE2 from 0.75 kW up to 1.8 kW
No. of Poles	2	
Rotation speed [min ⁻¹]	≈ 2800	
Insulation Class	F	
Protection degree (CEI EN 60034-5)	IP 55	
Power rating	[kW]	0.37 ÷ 1.5
	[HP]	0.5 ÷ 2
Frequency [Hz]	50	
Voltage [V]	230 ±10%	230/400 ±10%
Capacitor	Built in	-
Over load protection	Built in	Provided by the user
Casing material	Aluminium	
Base material/motor support	Aluminium	
Dimensions of cable entry	PG11 - PG13.5 (see dimensions page 400)	

SELECTION CHART

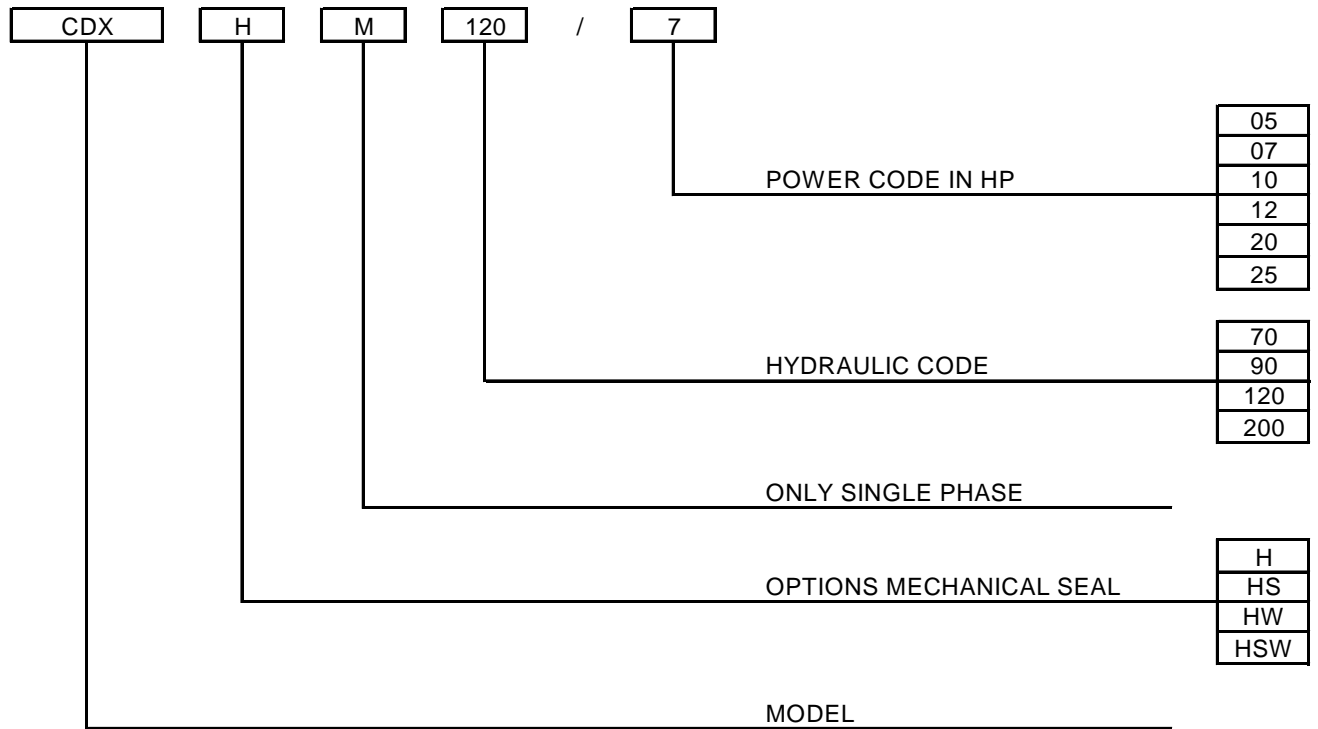
50Hz

Rev. I



Pump type		Power		Q=Capacity												
				l/min	0	20	50	80	90	110	130	160	180	210	250	
Single Phase	Three Phase	[kW]	[HP]	m ³ /h	0	1.2	3	4.8	5.4	6.6	7.8	9.6	10.8	12.6	15	
				H=Total manometric head in meters												
CDXM 70/05	CDX 70/05	0.37	0.5	22	20.7	18.4	15.9	15	-	-	-	-	-	-	-	-
CDXM 70/07	CDX 70/07	0.55	0.8	30	28	24.5	20.5	-	-	-	-	-	-	-	-	-
CDXM 90/10	CDX 90/10	0.75	1	32	30.3	27.2	23.6	22.3	19.5	-	-	-	-	-	-	-
CDXM 120/07	CDX 120/07	0.55	0.8	22.5	-	20.5	18.7	18.1	16.8	15.5	13.7	12.5	-	-	-	-
CDXM 120/12	CDX 120/12	0.9	1.2	32	-	29.5	27.1	26.1	24.3	22.4	19.5	-	-	-	-	-
CDXM 120/20	CDX 120/20	1.5	2	40.5	-	37.5	35.3	34.6	33.1	31.4	28.6	-	-	-	-	-
CDXM 200/12	CDX 200/12	0.9	1.2	23	-	-	20.7	20.2	19.5	18.5	17.1	16.1	14.6	12.5	-	-
CDXM 200/20	CDX 200/20	1.5	2	34	-	-	31	30.6	29.7	28.9	27.5	26.6	25.1	23	-	-
-	CDX 200/25	1.8	2.5	41	-	-	38	37.5	36.4	35.3	33.6	32.4	30.5	28	-	-

TYPE KEY



PERFORMANCE CURVE SPECIFICATIONS

The specifications below qualify the curves shown on the following pages.

Tolerances according to ISO 9906 Annex A

The curves refer to effective speed of asynchronous motors at 50 Hz

Measurements were carried out with clean water at 20°C of temperature and with a kinematic viscosity of $\nu = 1 \text{ mm}^2/\text{s}$ (1 cSt)

The NPSH curve is an average curve obtained in the same conditions of performance curves.

The continuous curves indicate the recommended working range. The dotted curve is only a guide.

In order to avoid the risk of over-heating, the pumps should not be used at a flow rate below 10% of best efficiency point.

Symbols explanation:

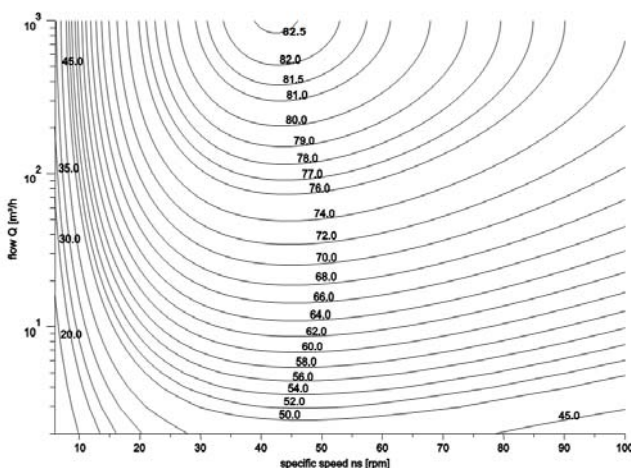
- Q = volume flow rate
- H = total head
- P_2 = pump power input (shaft power)
- η = pump efficiency
- NPSH = net positive suction head required by the pump
- MEI = minimum efficiency index

The minimum efficiency index (MEI) is a measure of the quality of a pump size in respect to its mean efficiency. The minimum efficiency index is based on the hydraulic efficiency and on the head at the best efficiency point.

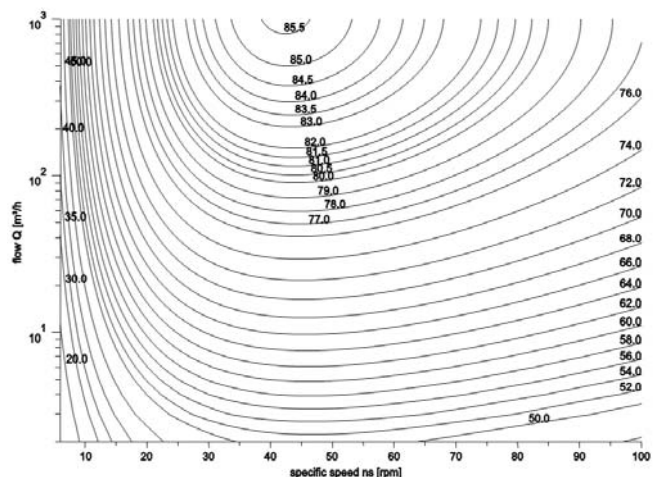
The efficiency of a pump with trimmed impeller is usually lower than that of a pump with the full impeller diameter. The trimming of the impeller will adapt the pump to a fixed duty point, leading to reduced energy consumption. The minimum efficiency index (MEI) is based on the full impeller diameter.

The operation of these water pumps with variable duty points may be more efficient and economic when controlled, for example, by the use of a variable speed drive that matches the pump duty to the system.

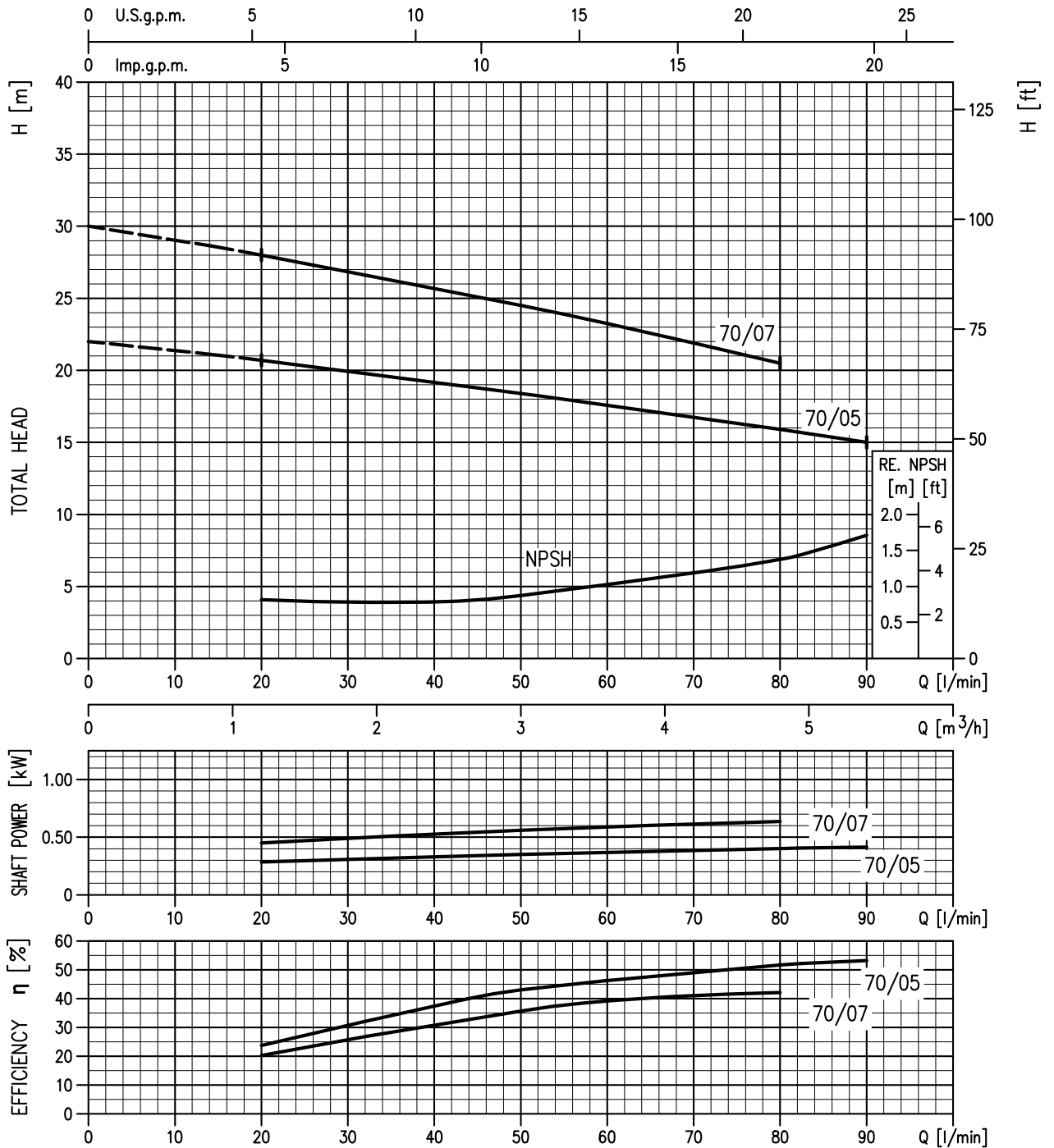
MEI = 0.4 for ESCC 2900 rpm



MEI = 0.7 for ESCC 2900rpm

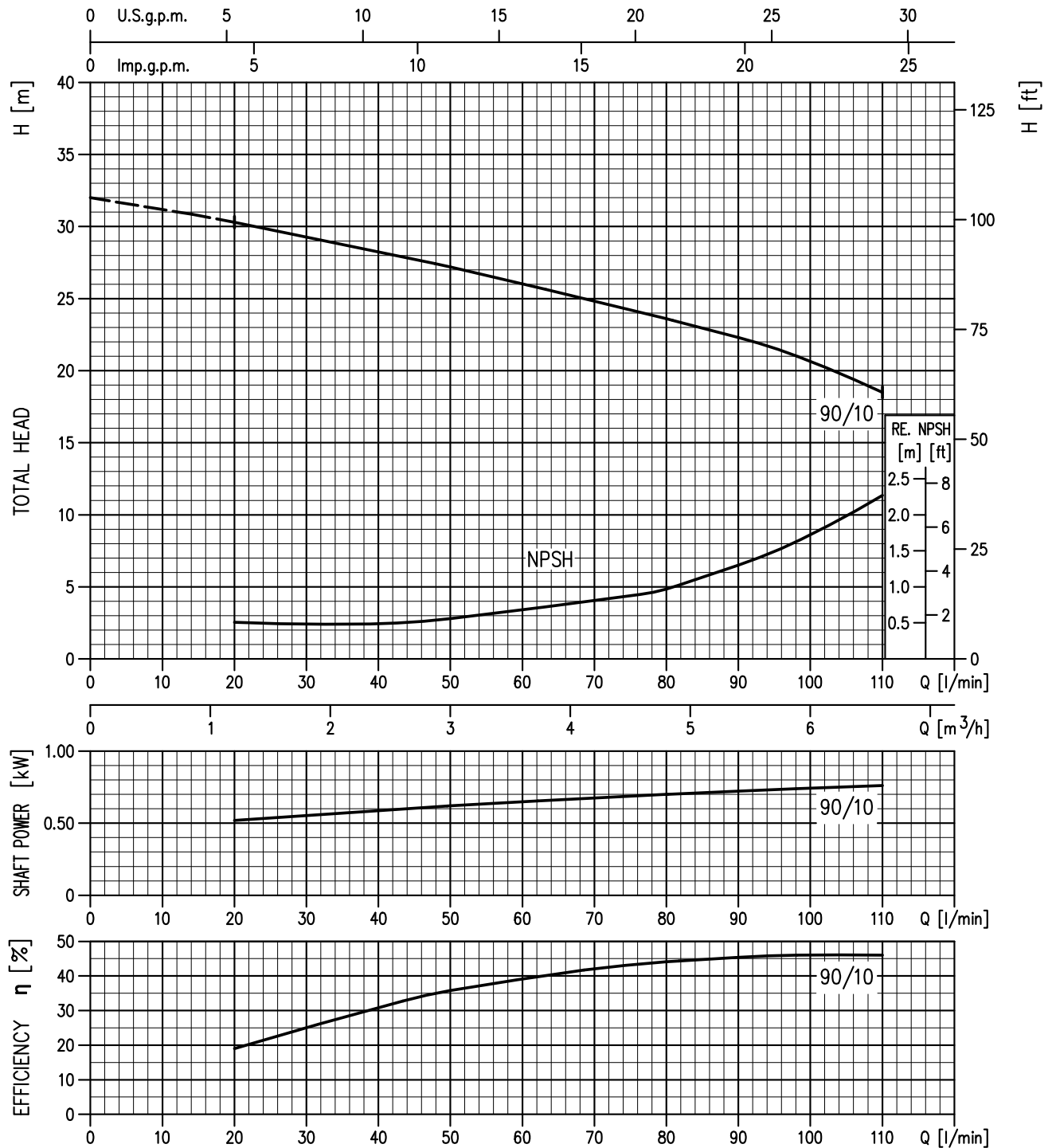


CDX 70/05 (0.37 kW) - Impeller diameter = 132 mm
 CDX 70/07 (0.55 kW) - Impeller diameter = 157 mm



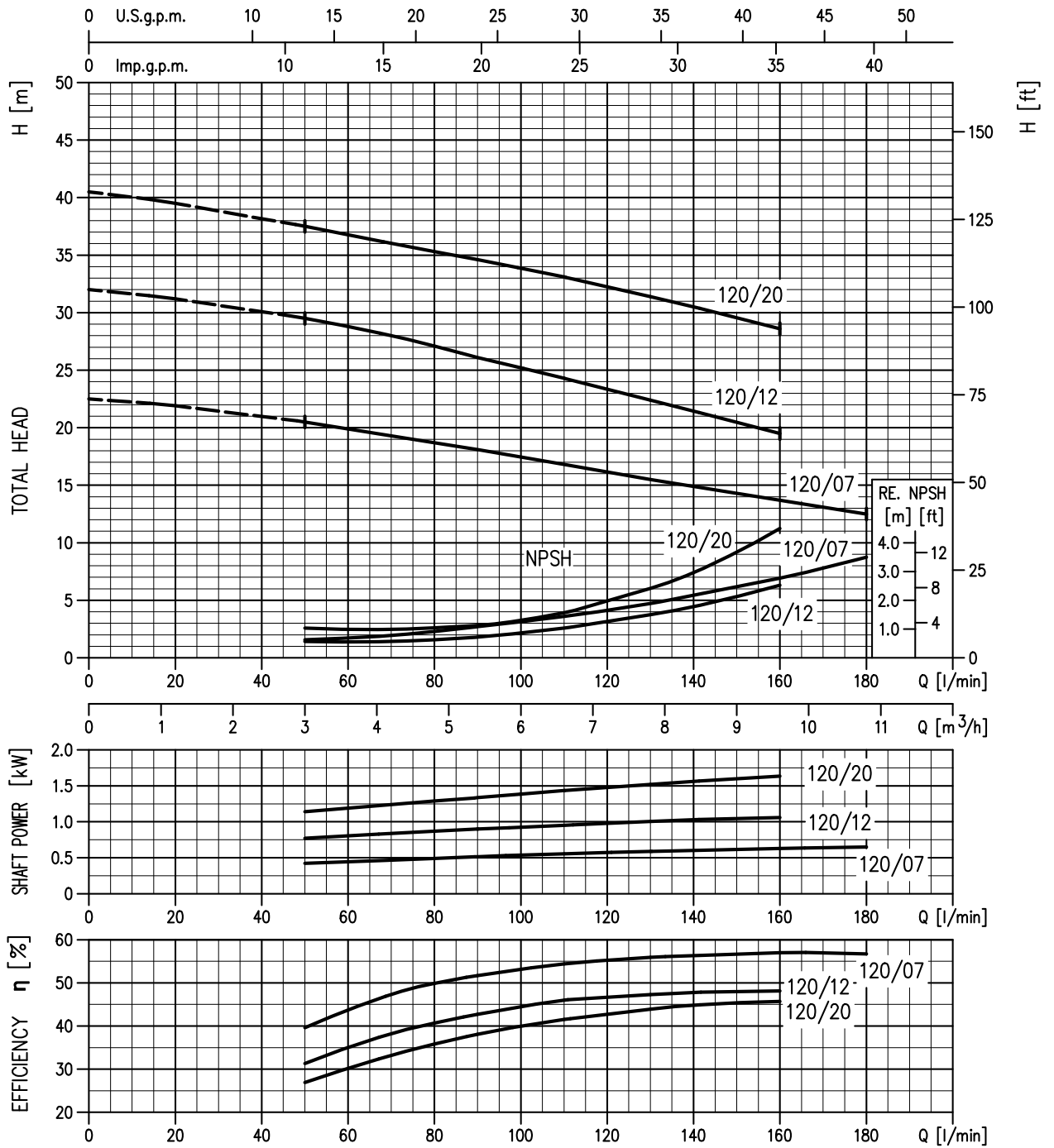
Rotation speed $\approx 2800 \text{ min}^{-1}$
 Test standard: ISO 9906 – Annex A

CDX 90/10 (0.75 kW) MEI > 0.70 - Impeller diameter = 157 mm



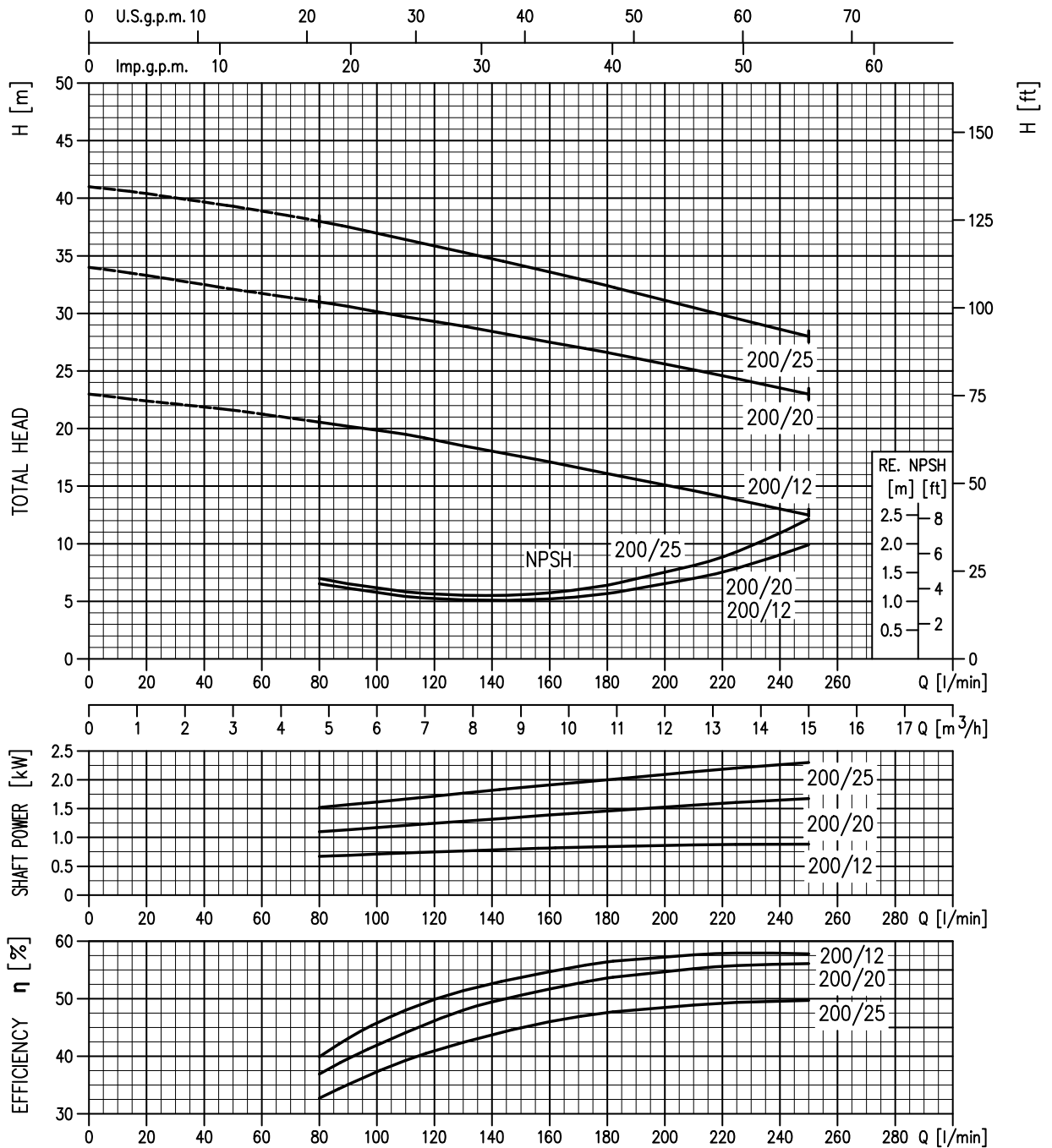
Rotation speed ≈ 2800 min⁻¹
 Test standard: ISO 9906 – Annex A

CDX 120/07 (0.55 kW) MEI > 0.50 - Impeller diameter = 132 mm
 CDX 120/12 (0.90 kW) MEI > 0.30 - Impeller diameter = 157 mm
 CDX 120/20 (1.50 kW) MEI > 0.70 - Impeller diameter = 176 mm



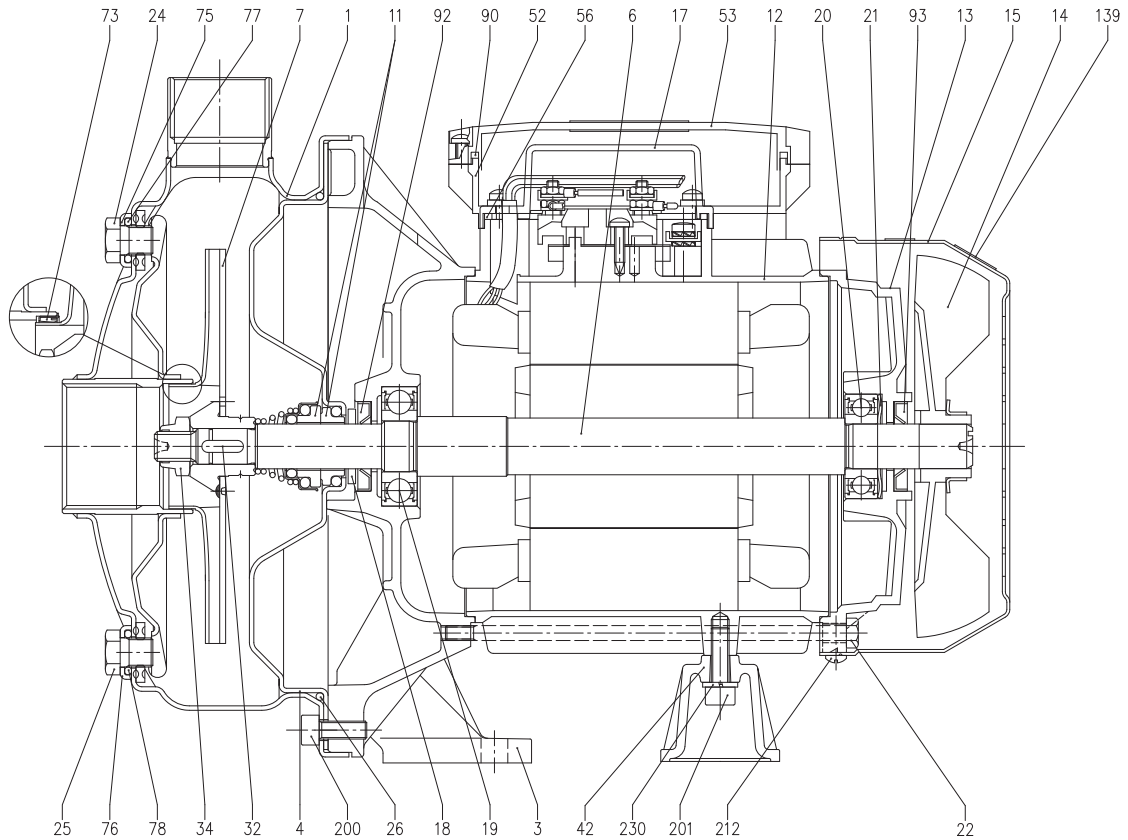
Rotation speed $\approx 2800 \text{ min}^{-1}$
 Test standard: ISO 9906 – Annex A

CDX 200/12 (0.9 kW) MEI > 0.30 - Impeller diameter = 132 mm
 CDX 200/20 (1.5 kW) MEI > 0.30 - Impeller diameter = 157 mm
 CDX 200/25 (1.8 kW) MEI > 0.30 - Impeller diameter = 176 mm



Rotation speed ≈ 2800 min⁻¹
 Test standard: ISO 9906 – Annex A

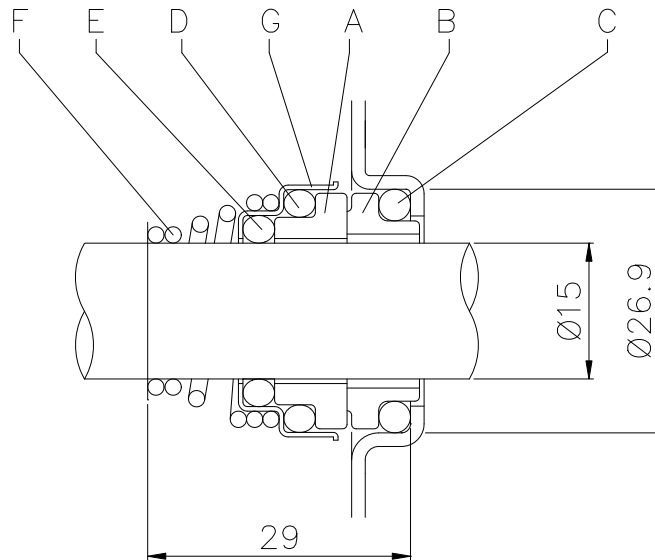
SECTIONAL VIEW



N°	PART NAME	MATERIAL	Q.TY	N°	PART NAME	MATERIAL	Q.TY
1	Casing	AISI 304	1	25	Drain plug	AISI 303	1
3	Motor bracket	Aluminium	1	26	O-ring [3]	NBR	1
4	Casing cover	AISI 304	1	32	Key	AISI 316	1
6	Shaft with rotor	AISI 303 (Wet extension)	1	34	Impeller nut	AISI 304	1
7	Impeller	AISI 304	1	42	Motor support	Aluminium	1
11	Mechanical seal [3]	Carbon/Ceramic/NBR	1	52	Terminal box [1]	ABS	1
12	Motor frame with stator	-	1	53	Terminal box cover [1]	ABS	1
13	Motor cover	Aluminium	1	56	Box gasket	NBR	1
14	Fan	PA	1	73	Casing ring [4]	AISI 304	1
15	Fan cover	Fe P04 Zincate	1	75	Washer	AISI 304	1
16	Terminal board	-	1	76	Washer	AISI 304	1
17	Terminal box cover [2]	Aluminium	1	77	O-ring [3]	NBR	1
18	Splash ring	NBR	1	78	O-ring [3]	NBR	1
19	Pump side ball bearing	-	1	90	Terminal box cover gasket [1]	NBR	1
20	Fan side ball bearing	-	1	92	Lip seal	-	1
21	Adjusting ring	Steel C70	1	93	Lip seal	-	1
22	Tie rod	Fe 420 Zincate	4	110	Protector [1]	-	1
23	Capacitor [1]	-	1	200	Screw	Stainless steel A2 UNI7323	8
24	Priming plug	AISI 303	1				

- [1] Only for single phase
- [2] Only for three phase
- [3] FPM for CDX H-HS-HW-HSW
- [4] NBR for CDX 70/05, 70/07, 90/10
FPM for CDX H-HS-HW-HSW 70/05, 70/07, 90/10

MECHANICAL SEAL

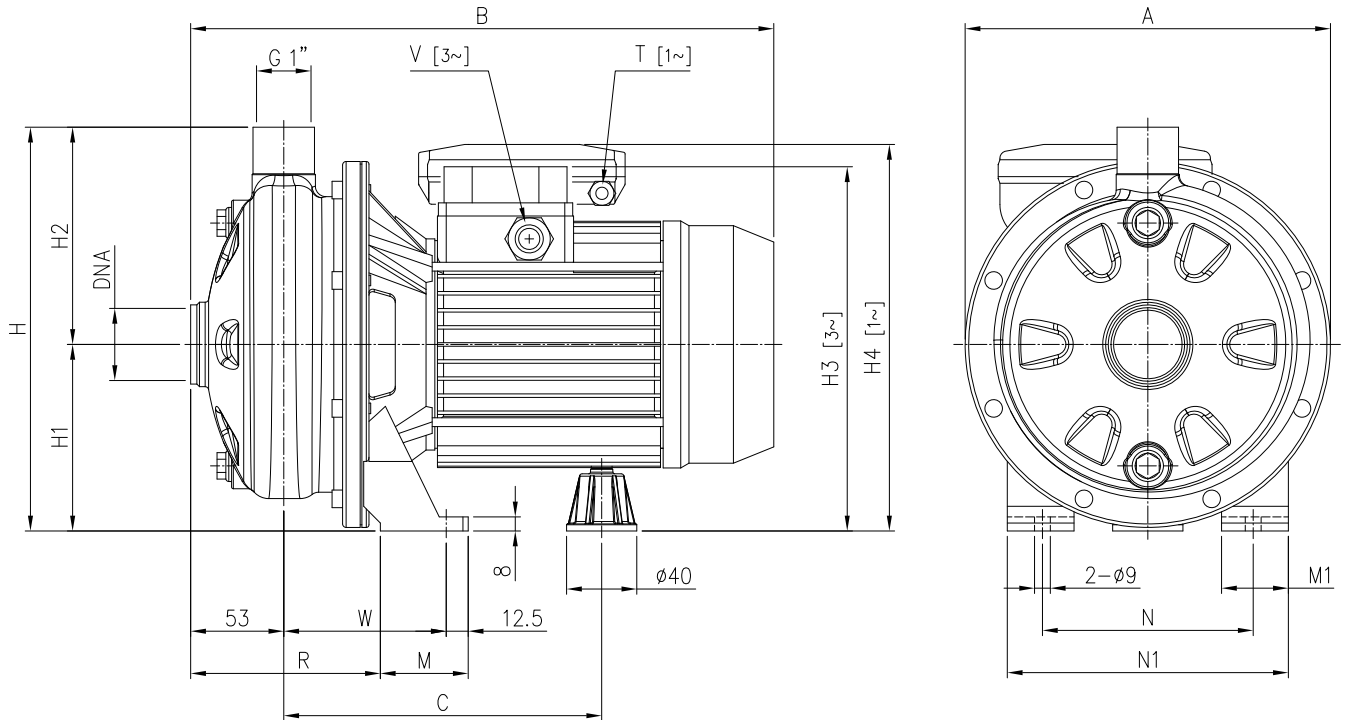


REF	PART NAME	MATERIAL				
		Standard version (CDX)	(CDXH)	(CDXHS)	Optional (CDXHW) (CDXHWS)	
A	Rotary seal ring	Ceramic	Ceramic	Silicon carbide	Tungsten carbide	Silicon carbide
B	Stationary seal ring	Carbon graphite	Carbon graphite	Silicon carbide	Tungsten carbide	Tungsten carbide
C	O Ring	NBR	FPM	FPM	FPM	FPM
D	O Ring	NBR	FPM	FPM	FPM	FPM
E	O Ring	NBR	FPM	FPM	FPM	FPM
F	Self driving spring	AISI 316	AISI 316	AISI 316	AISI 316	AISI 316
G	Frame	AISI 304	AISI 304	AISI 316	AISI 316	AISI 316

BEARINGS

Pump type		Ball Bearing	
Single Phase	Three Phase	Pump side	Fan side
CDXM 70/05	CDX 70/05	6203 2RSH	6202 2RSH
CDXM 70/07	CDX 70/07	6203 2RSH	6202 2RSH
CDXM 90/10	CDX 90/10	6203 2RSH	6202 2RSH
CDXM 120/07	CDX 120/07	6203 2RSH	6202 2RSH
CDXM 120/12	CDX 120/12	6203 2RSH	6202 2RSH
CDXM 120/20	CDX 120/20	6204 2RSH	6203 2RSH
CDXM 200/12	CDX 200/12	6203 2RSH	6202 2RSH
CDXM 200/20	CDX 200/20	6204 2RSH	6203 2RSH
-	CDX 200/25	6204 2RSH	6203 2RSH

PUMP

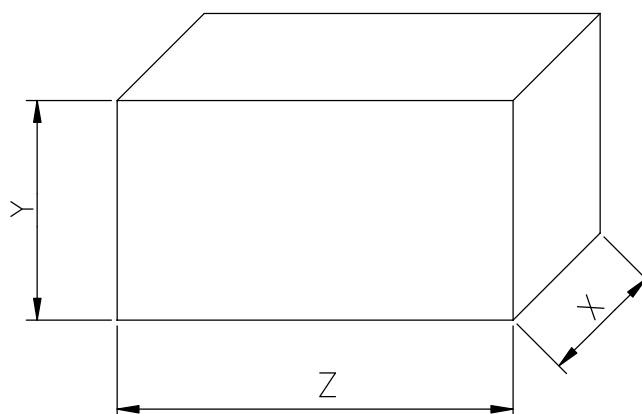


Pump type CDXM CDX	Dimensions [mm]																	Weight [kgf]			
	A	B		C	H	H1	H2	H3	H4	M	M1	N	N1	R	T	V	W	DNA	[1~]	[3~]	
		[1~]	[3~]					[3~]	[1~]						[1~]	[3~]					
70/05	208	321	320	181	229.5	106	123.5	207	216	50	38	120	160	108	PG11	PG11	92.5	G1 1/4	8.3	8.3	
70/07	208	321	320	181	229.5	106	123.5	207	216	50	38	120	160	108	PG11	PG11	92.5	G1 1/4	9.8	9.7	
90/10	208	321	320	181	229.5	106	123.5	207	216	50	38	120	160	108	PG11	PG11	92.5	G1 1/4	11	11	
120/07	208	321	320	181	229.5	106	123.5	207	216	50	38	120	160	108	PG11	PG11	92.5	G1 1/4	9.6	9.5	
120/12	208	321	332	181	229.5	106	123.5	207	235	50	38	120	160	108	PG11	PG11	92.5	G1 1/4	11.8	12.4	
120/20	232	346.5	359	198.5	250	118	132	237	248.5	55	40	140	180	105.5	PG13.5	PG11	95	G1 1/4	16.5	17.2	
200/12	208	321	332	181	229.5	106	123.5	207	235	50	38	120	160	108	PG13.5	PG11	92.5	G1 1/2	11.4	12.2	
200/20	208	346.5	359	198.5	229.5	106	123.5	225	236.5	55	40	140	180	105.5	PG13.5	PG11	95	G1 1/2	15.3	16.1	
200/25	232	-	359	198.5	250	118	132	237	-	55	40	140	180	105.5	-	PG11	95	G1 1/2	-	15.9	

[1~] Single phase

[3~] Three phase

PACKING



Pump Type		Packing [mm]						Weight [kg]	
Single Phase	Three Phase	X		Y		Z		[1~]	[3~]
		[1~]	[3~]	[1~]	[3~]	[1~]	[3~]		
CDXM 70/05	CDX 70/05	227	227	280	280	335	335	9	9
CDXM 70/07	CDX 70/07	227	227	280	280	335	335	10.4	10.4
CDXM 90/10	CDX 90/10	227	227	280	280	335	335	11.7	11.6
CDXM 120/07	CDX 120/07	227	227	280	280	335	335	10.2	10.4
CDXM 120/12	CDX 120/12	227	239	280	289	335	372	12.5	13.2
CDXM 120/20	CDX 120/20	245	239	315	289	360	372	17.2	18
CDXM 200/12	CDX 200/12	218	239	280	289	332	372	12.1	12.9
CDXM 200/20	CDX 200/20	250	239	315	289	375	372	16	16.8
-	CDX 200/25	-	245	-	305	-	380	-	16.7

[1~] Single phase

[3~] Three phase

MOTOR DATA

Pump type		Power		Efficiency		Capacitor		Efficiency (% load)			Input		Full load current			Locked rotor current		
Single Phase	Three Phase	[kW]	[HP]	Single Phase	Three Phase	Single Phase	Three Phase	Three phase			Single Phase	Three Phase	Single Phase	Three Phase	Three Phase	Single Phase	Three Phase	Three Phase
						[μF]	[V]	50%	75%	100%	Phase	Phase	230 V	230 V	400 V	230 V	230 V	400 V
CDXM 70/05	CDX 70/05	0.37	0.5	-	-	12.5	450	-	-	-	0.75	0.68	3.4	2.4	1.4	10.1	11.0	6.15
CDXM 70/07	CDX 70/07	0.55	0.75	-	-	16	450	-	-	-	1.1	1.0	5.0	3.5	2.0	16.1	17.0	9.7
CDXM 90/10	CDX 90/10	0.75	1.0	-	IE2	20	450	77.2	80.9	81.3	1.2	1.05	5.6	3.3	1.9	22.7	22.0	12.9
CDXM 120/07	CDX 120/07	0.55	0.75	-	IE2	16	450	-	-	-	1.0	1.0	4.6	3.2	1.85	16.1	17.0	9.7
CDXM 120/12	CDX 120/12	0.9	1.2	-	IE2	31.5	450	79.0	81.7	81.6	1.6	1.45	6.9	4.5	2.6	25.0	31.0	17.8
CDXM 120/20	CDX 120/20	1.5	2.0	-	IE2	40	450	80.3	83.4	83.8	2.1	2.09	9.3	7.0	4.0	43.0	34.3	20.0
CDXM 200/12	CDX 200/12	0.9	1.2	-	IE2	31.5	450	79.0	81.7	81.6	1.4	1.35	6.3	4.3	2.5	25.0	31.0	17.8
CDXM 200/20	CDX 200/20	1.5	2.0	-	IE2	40	450	80.3	83.4	83.8	2.3	2.22	10.2	7.4	4.3	43.0	34.3	20.0
-	CDX 200/25	1.8	2.5	-	IE2	-	-	83.0	84.4	83.8	-	2.87	-	8.7	5.0	-	59.0	34.3

NOISE DATA

Pump type		Power		L _{pA} - dB(A) *
Single Phase	Three Phase	[kW]	[HP]	
CDXM 70/05	CDX 70/05	0.37	0.5	61
CDXM 70/07	CDX 70/07	0.55	0.75	62
CDXM 90/10	CDX 90/10	0.75	1.0	
CDXM 120/07	CDX 120/07	0.55	0.75	
CDXM 120/12	CDX 120/12	0.9	1.2	64
CDXM 120/20	CDX 120/20	1.5	2.0	
CDXM 200/12	CDX 200/12	0.9	1.2	62
CDXM 200/20	CDX 200/20	1.5	2.0	64
-	CDX 200/25	1.8	2.5	65

* Mean value of several measures at 1m distance around the pump.

Tolerance ± 2.5 dB.