

IN LINE CENTRIFUGAL PUMPS

LPS

SELECTION CHART

50Hz

Rev. H

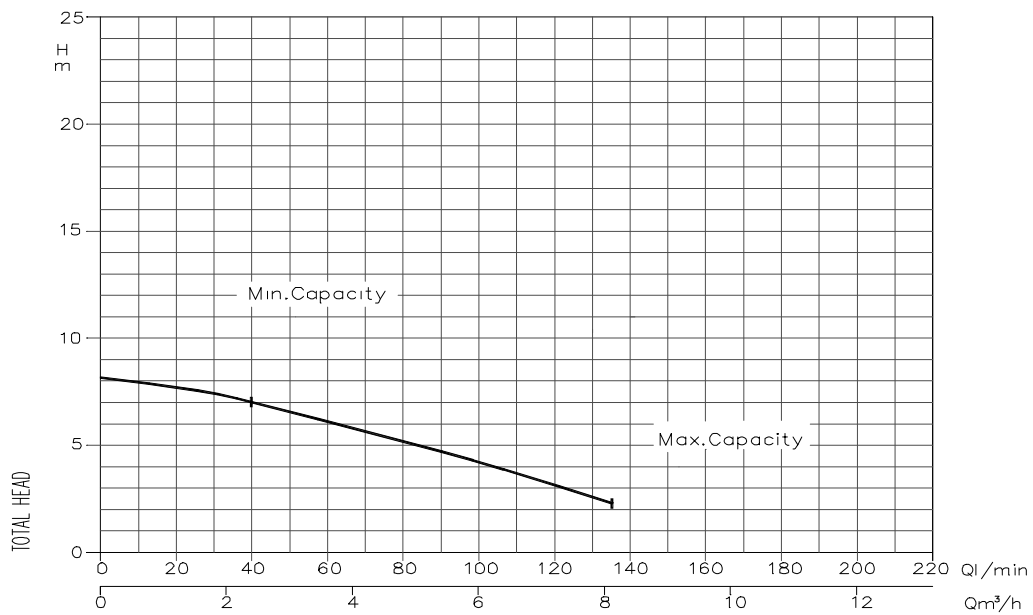
Pump type		Power		Q=Capacity											
Single phase	Three phase	[kW]	[HP]	l/min	0	20	40	70	100	120	135	200	250	320	400
				m ³ /h	0	1.2	2.4	4.2	6	7.2	8.1	12	15	19.2	24
LPS 32/15M	LPS 32/15	0.15	0.2		8.1	-	7.5	5.6	4.3	3.1	2.5	-	-	-	-

H=Total manometric head in meters

PERFORMANCE CURVE

50Hz

LPS 32/15 (0.15 kW) - LPS 32/15M (0.15 kW) - Impeller diameter = 86 mm



TECHNICAL DATA

50Hz

MOTOR DATA

Pump type		Power		Efficiency		Capacitor		Efficiency (% load)			Input		Full load current			Locked rotor current		
Single Phase	Three Phase	[kW]	[HP]	Single Phase	Three Phase	Single Phase	Three phase	Three phase			Single	Three	Single Phase	Three Phase	Single Phase	Three Phase	Single Phase	Three Phase
								η %	50%	75%								
LPS 32/15M	LPS 32/15	0.15	0.2	-	-	12.5	450	-	-	-	0.35	0.34	1.7	1.8	1.03	5.5	6.0	3.7

IN LINE CENTRIFUGAL PUMPS

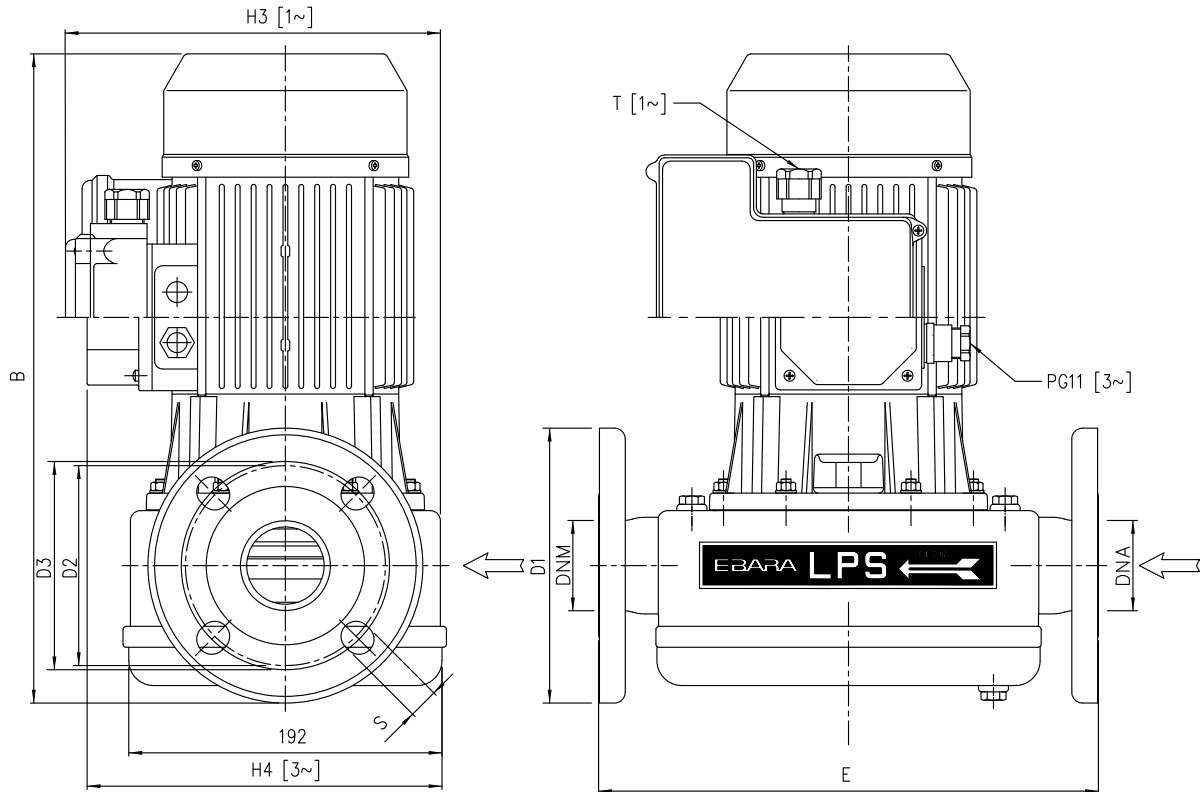
LPS

DIMENSIONS AND WEIGHT

50Hz

Rev. H

PUMP



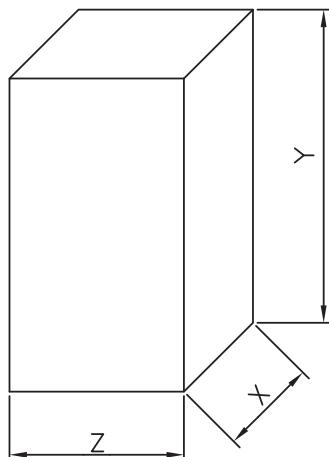
Pump type		Dimensions in mm											Weight		
Single Phase [1~]	Three Phase [3~]	E	B		H3	H4	T	DNA	DNM	D1	D2	D3	S	Weight [kgf]	
			[1~]	[3~]	[1~]	[3~]	[1~]							[1~]	[3~]
LPS 32/15M	LPS 32/15	300	341.5	341.5	206	197.5	PG11	32	32	140	100	100	18	10.6	10.6

[1~] Single Phase
[3~] Three Phase

DIMENSIONS AND WEIGHT

50Hz

PACKING



Pump type		Packing [mm]			Weight	
Single phase	Three phase	Y	X	Z	[1~]	[3~]
LPS 32/15M	LPS 32/15	432	242	398	12.9	12.9

[1~] Single Phase
[3~] Three Phase